

ALUMINUM STALL ASSEMBLY INSTRUCTIONS

INSTALLATION OF STALL DOOR

- Lay door side rails (Item 4) on flat surface.
- Cut eleven 2 x 6 x 48" Long Boards
- Mount one 2 x 6 at top of door (hanger board) between side channels using teks screws.
- Install (Item 9) foam strip into (Item 6) 42" grill channels. Align holes.
- Attach one grill channel to bottom edge of hanger board using teks screws.
- Insert ten (Item 8) aluminum poles.
- Install bottom grill channel with foam strip on bottom of grill.
- Install nine 2 x 6 x 48" boards in bottom portion of door. Attach with teks screws.

NOTE: First 2 x 6 must be pushed up firmly against bottom of aluminum poles.

i. Measure gap between bottom board and end of side channels. Subtract 1" and rip remaining 2 x 6 to fit and install with teks screws.

- Attach (Item 7) door guide rail to bottom edge of last board between side channels. Attach using flat head nail (Fig. 2)

- Install Trolleys – Measure in 3 3/4" from outside edge of Door Rail (Item 4). Use Trolley Hanger Strap as Drilling Template.

- Install 2 x 4 x 8' Latch Side Jamb / Door Stop.
- Install Stall Door Track (Item 1) as follows:
 - Measure up from floor to locate top of track.
 - Attach track with end flush to 2 x 4 stop / jamb.

- Raise completed Door Panel and insert Trolleys in Track.

- Install Stay Roller Bracket. (Item 10) with Roller Mounting Surface 1/2" minimum below the Door Panel Bottom Guide and flush with Door Opening.

NOTE: Roller acts as Stop for Door in open condition.

- Install Stall Door Latch (Item 3) approximately in the center of panel on the side jamb / stop side
 - Mark screw locations for latch bolt and strike with door closed.
 - Drill pilot holes screw and install.

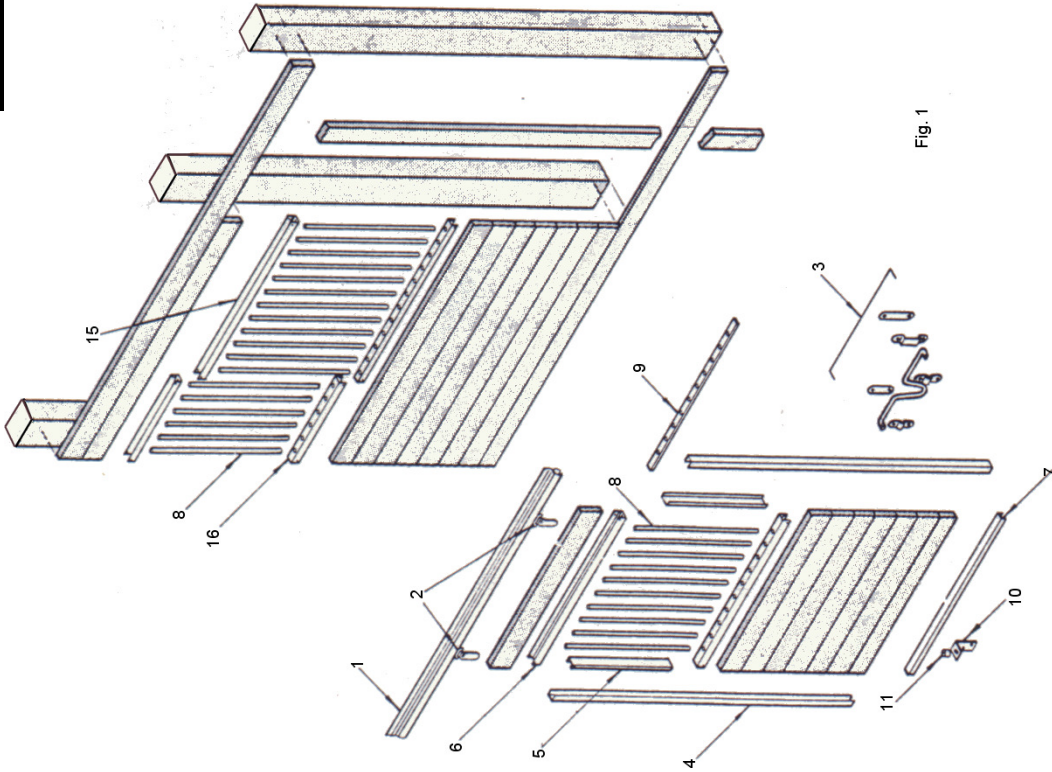


Fig. 1

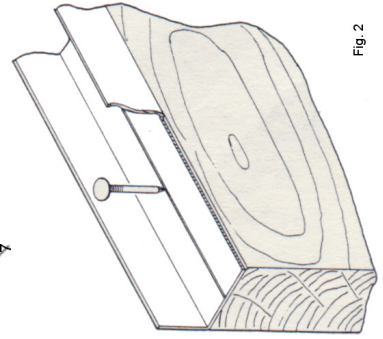


Fig. 2

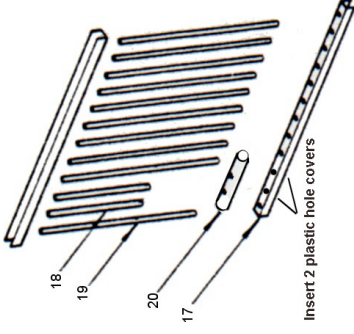
INSTALLATION 4'

- Install (Item 9) Foam Strips in (Item 15) 4' Grill Rail. (Pull Strip through rail from end then align holes).
- Insert (Item 8) Stall Grill Poles into Rail holes. (Refer to overall drawing of component Fig. 1).
- Set Grill Assembly in place on bottom of Grill Opening.
- Set Top Plank of Grill Opening into Top Grill Rail.
- Attach Grill Rails to Planks.

NOTE: 2 x 6 MUST BE PUSHED TIGHT ONTO ENDS OF GRILL POLES

INSTALLATION OF 4' GRILL WITH OPENING

- Assemble 2 short poles (item 18) to cross members (item 20) using 1/4 x 2 1/2 inch all thread bolts.
- Assemble 2 long poles with drilled holes (item 19) to cross member (item 20) using 1/4 x 2 1/2 inch hex bolt.
- Push poles into grill channels and assemble into stall opening as in grill instructions before.



NAIL / SCREW RECOMMENDATION

- Stall Doors –
 2' and 4' Grills
 Phillips Pan Head TEKS
 #10-16 x 3/4" – Self Drilling Screw
 11 ga. X 1 1/4" Galvanized Roofing Nail

- Stall Window
 8d Galvanized Ring Shank Nail